

CORRECTED VERSION

(19) World Intellectual Property Organization
International Bureau



(43) International Publication Date
9 April 2009 (09.04.2009)

PCT

(10) International Publication Number
WO 2009/043131 A8

(51) International Patent Classification:
C12M 3/00 (2006.01) B01L 3/00 (2006.01)

(21) International Application Number:
PCT/BR2008/000302

(22) International Filing Date: 6 October 2008 (06.10.2008)

(25) Filing Language: English

(26) Publication Language: English

(30) Priority Data:
PI 0705219-7 5 October 2007 (05.10.2007) BR

(71) Applicant and

(72) Inventor: BERTOLLA, Ricardo Pimenta [BR/BR]; Rua Borges Lagoa, 933 ap 62, 04038-032 São Paulo - Sp (BR).

(72) Inventors; and

(75) Inventors/Applicants (for US only): LO TURCO, Edson Guimarães [BR/BR]; Rua Pageu, 55 ap 14, 04139-000 São Paulo - Sp (BR). FERREIRA, Christina Ramires [BR/BR]; Fazenda São Francisco - Caixa Postal - 238,

13800-970 Mogi-Mirim - SP (BR). SILVA, Virgilio Gustavo da [BR/BR]; Rua Napoleão de Barros, 489 ap 82, 04024-001 São Paulo -sp (BR).

(74) Agents: ARNAUD, Antonio M.P. et al.; Rua José Bonifácio, 93 - 9th floor, 01003-901 São Paulo - SP (BR).

(81) Designated States (unless otherwise indicated, for every kind of national protection available): AE, AG, AL, AM, AO, AT, AU, AZ, BA, BB, BG, BH, BW, BY, BZ, CA, CH, CN, CO, CR, CU, CZ, DE, DK, DM, DO, DZ, EC, EE, EG, ES, FI, GB, GD, GE, GH, GM, GT, HN, HR, HU, ID, IL, IN, IS, JP, KE, KG, KM, KN, KP, KR, KZ, LA, LC, LK, LR, LS, LT, LU, LY, MA, MD, ME, MG, MK, MN, MW, MX, MY, MZ, NA, NG, NI, NO, NZ, OM, PG, PH, PL, PT, RO, RS, RU, SC, SD, SE, SG, SK, SL, SM, ST, SV, SY, TJ, TM, TN, TR, TT, TZ, UA, UG, US, UZ, VC, VN, ZA, ZM, ZW.

(84) Designated States (unless otherwise indicated, for every kind of regional protection available): ARIPO (BW, GH,

[Continued on next page]

(54) Title: RECIPIENT DEVICE AND METHOD TO PROTECT IN VITRO CULTURED EMBRYOS AND CELLS AGAINST ATMOSPHERIC SHOCK

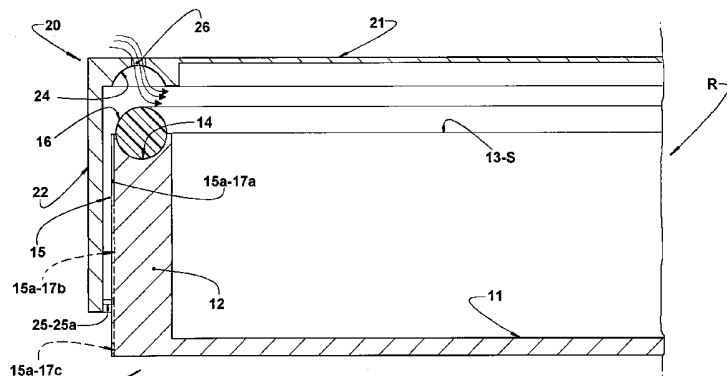


FIG. 3A

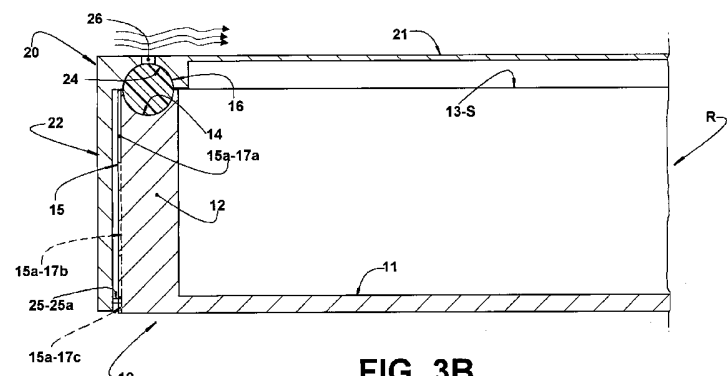


FIG. 3B

(57) Abstract: A recipient device comprises a base (10) with a transparent bottom wall (11) and at least a sidewall portion (12) which defines, superiorly, a seat (S) for a removable and transparent lid (20), to be attached to the base (10), to be selectively switchable between a non-operant position, allowing fluid communication between the interior and exterior of the recipient device (R), and an operant position, hermetically sealing the recipient device (R) in an airtight manner, not allowing fluid communication between the interior and the exterior of said recipient device (R) which may be maintained inside an incubator, with the lid (20) in a non-operant position, until a control operation is desired, moment in which the lid (20) is switched to its operant position while still inside the incubator, maintaining the recipient device hermetically closed during its removal from the incubator.

WO 2009/043131 A8



GM, KE, LS, MW, MZ, NA, SD, SL, SZ, TZ, UG, ZM, ZW), Eurasian (AM, AZ, BY, KG, KZ, MD, RU, TJ, TM), European (AT, BE, BG, CH, CY, CZ, DE, DK, EE, ES, FI, FR, GB, GR, HR, HU, IE, IS, IT, LT, LU, LV, MC, MT, NL, NO, PL, PT, RO, SE, SI, SK, TR), OAPI (BF, BJ, CF, CG, CI, CM, GA, GN, GQ, GW, ML, MR, NE, SN, TD, TG).

(48) Date of publication of this corrected version:

18 June 2009

(15) Information about Correction:

see Notice of 18 June 2009

Published:

— *with international search report*